

<b>USER'S MANUAL</b>		<b><i>Ekyrail enterprises inc.</i></b>	
Doc. N° 1020070085	Révision : F	Date: 21-05-2020	Page : 1 of 8
<b>2.5kVA Sine Wave DC to AC Inverter</b>			

**Installation,  
Operating  
&  
Maintenance  
Manual  
For  
2.5kVA Sine Wave DC to AC Inverter  
1020070000**



<b>USER'S MANUAL</b>		<b><i>Ekyrail enterprises inc.</i></b>	
Doc. N° 1020070085	Révision : F	Date: 21-05-2020	Page : 2 of 8
<b>2.5kVA Sine Wave DC to AC Inverter</b>			

## Specification

### 1.1 General:

The system is a 2.5kVA DC to AC 60Hz true sine wave inverter designed for locomotive mounting. The unit is capable of supplying 2500VA continuous. The unit operates from 64 to 89Vdc drawing 40A (at 74Vdc with nominal load). The system employs a conservatively rated high speed switched power supply with complete isolation from input to output and from input and output to chassis. The unit can operate indefinitely in short circuit condition. The output maximum voltage is factory set to 117Vac  $\pm 5\%$  @ 60Hz  $\pm 1$ Hz sine wave with a total harmonic distortion THD of  $< 5\%$ . The current limit is 23 A rms. The unit will operate under overload or short circuit conditions indefinitely without damage. The sequence is as follows: Cut-off after 2 seconds, automatic reset after 30 seconds.

### 1.2 Operational specifications

#### 1.2.1 Output:

Voltage	117 Vac $\pm 5\%$ at full operating range (2500va)
Current limit	23 A ac rms
Frequency	60 Hz $\pm 1$ Hz

#### 1.2.2 Input:

Voltage	74 Vdc nominal, operating range 63 to 89 Vdc
Curent	40Adc @ nominal output 2500 VA

<b>USER'S MANUAL</b>		<b><i>Ekyrail enterprises inc.</i></b>	
Doc. N° 1020070085	Révision : F	Date: 21-05-2020	Page : 3 of 8
<b>2.5kVA Sine Wave DC to AC Inverter</b>			

### 1.2.3 Protection:

Over current: Cut-off after 2 seconds, (2600va) automatic reset after 36 seconds.

Overload: Output stage thermal shutdown.

Over Temperature: Cut-off at +80°C, restart at +70°C.

Input over voltage: Shutdown at 89 Vdc, restart at 85 Vdc.

Input under voltage: Shutdown at 64 Vdc, restart at 69 Vdc.

DC polarity: Protected

Input protection: Surge suppressor and fuse.

In/out isolation: Transformer isolated floating output.

### 1.2.4 Environment:

Temperature:

Storage: -40°F to 185°F (-40°C to 85°C)

Operating: -40°F to 158°F (-40°C to 70°C)

Humidity: 0 to 100% relative

Altitude 0 to 10,000 ft

Shock & Vibration IEC 60571 Standard

EMI IEC801 Standard

<b>USER'S MANUAL</b>		<b><i>Ekyrail enterprises inc.</i></b>	
Doc. N° 1020070085	Révision : F	Date: 21-05-2020	Page : 4 of 8
<b>2.5kVA Sine Wave DC to AC Inverter</b>			

### 1.2.5 Physical:

Dimensions: 10" wide by 14.25 high by 9.5 deep

Cooling: Natural convection

Weight: less than 50 lbs. (22.68 kg)

### 1.2.6 Indicators:

DC input LED	Green ON Steady – Indicates operating voltage is within operating range Green Flashing – Indicates operating voltage is out of range over or under. Green OFF – No input voltage or reverse polarity.
AC output LED	Green ON Steady – Indicates that 120Vac is available. Green Flashing, – Indicates overheating or overloaded. Green – OFF – No output voltage, because Dc over- under voltage, wrong polarity.
Fault Indicator LED	RED – ON – Input fuse is open

## 2 Installation

### 2.1 General

The unit is designed for installation in a locomotive hood or cabinet

### 2.2 Orientation

The unit may be mounted with the heat sink back plane in a **vertical or horizontal orientation.**

<b>USER'S MANUAL</b>		<b><i>Ekyrail enterprises inc.</i></b>	
Doc. N° 1020070085	Révision : F	Date: 21-05-2020	Page : 5 of 8
<b>2.5kVA Sine Wave DC to AC Inverter</b>			

### **2.3 Clearance**

The heat sink shall have a clear area of four inches both below and above the heat sink for the complete depth and area of the heat sink in order to permit adequate air flow for cooling.

### **2.4 Ambient temperature**

The ambient temperature in the mounting location shall not exceed 70°C or be less than -40°C. Direct line of sight to high temperature objects such as exhaust manifolds should be avoided, or radiation shields installed outside the radiator clearance requirements.

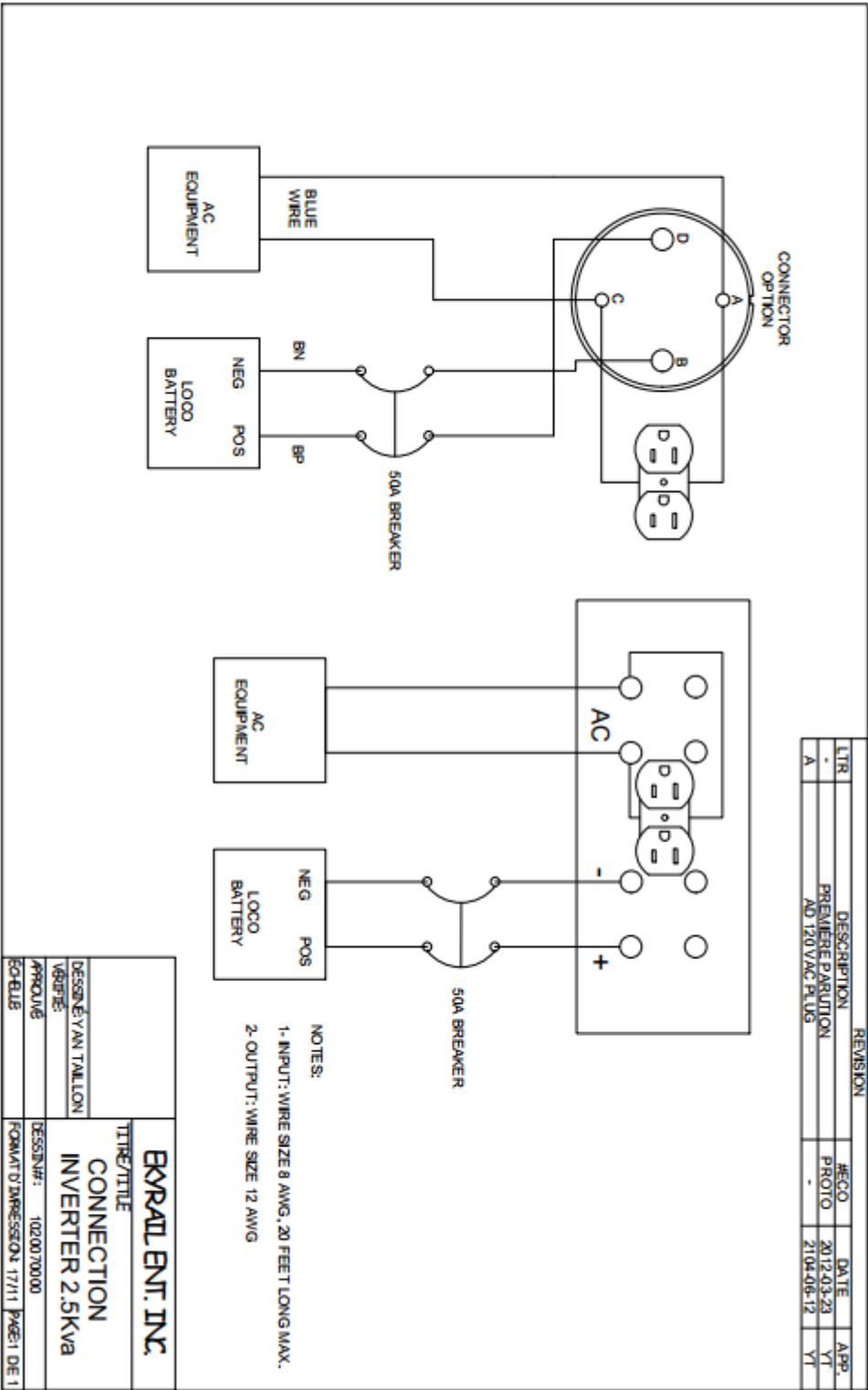
### **2.5 Vibration**

If mounted directly to an engine assembly appropriate anti vibration mounts shall be used. If mounted to the car body structure a solid mount is normally acceptable unless the structure is subject to resonances in the operating range of the prime mover. In such cases the unit may require anti vibration mounts.

<b>USER'S MANUAL</b>		<b>Ekyrail enterprises inc.</b>	
Doc. N° 1020070085	Révision : F	Date: 21-05-2020	Page : 6 of 8
<b>2.5kVA Sine Wave DC to AC Inverter</b>			

### 2.6 Wiring

The wiring connections are made via terminal stud or connector (optional).



<b>USER'S MANUAL</b>		<b><i>Ekyrail enterprises inc.</i></b>	
Doc. N° 1020070085	Révision : F	Date: 21-05-2020	Page : 7 of 8
<b>2.5kVA Sine Wave DC to AC Inverter</b>			

### **2.6.1 DC Wiring**

The DC wires should be connected positive battery to positive input IB1P, negative battery to negative IB1N. In order to verify that the polarity is correct, close the supply breaker and apply the battery voltage. If the polarity is correct, the green indicator light (DC IN) will illuminate. If this indicator does not light verify the DC wiring and correct as necessary.

### **2.6.2 AC wiring**

The AC output connection is made by terminals studs. The output is floating to ground.

## **3. Operation**

With the DC power properly applied, the green DC IN led will be illuminated.

In the event of an internal fault, the red led FAULT will illuminate. The unit should be returned to Ekyrail for service.

## **4. Maintenance**

There is no required maintenance on this unit other than to confirm it is operational and not suffering from mechanical damage during the routine inspection and maintenance of the associated equipment.

If the radiator is very dirty it should be cleaned during the normal maintenance of the associated equipment.

<b>USER'S MANUAL</b>		<i>Ekyrail enterprises inc.</i>	
Doc. N° 1020070085	Révision : F	Date: 21-05-2020	Page : 8 of 8
<b>2.5kVA Sine Wave DC to AC Inverter</b>			

LITR	DESCRIPTION	REVISION	REC.O	DATE	APP.
	PREMIERE PARUTION		PROTO	2012-05-02	YT

<b>EKYRAIL BNT. INC.</b>	
TYPE/TITRE	INVERTER
DESIGNER	2.5KVA
VERITE	
APProuvé	
BOBILS	
DESIGN#:	1020070000
FORMAT/DIRE:SECTION	17/11 PAGE:1 DE 1