

ALARMS AND BELLS

Part No. #020-0082-00



ALUMINIUM MOLDED ELECTRONIC BELL, E-BELL 74V

APPLICATION

This high performance electronic bell is an ideal replacement for all pneumatic bell-ringers.

It is a rugged electronic device that provides top reliability and eliminates costly maintenance.

PERFORMANCE

- ✓ Operating temperatures range from -40°F to 158°F (-40°C to 70°C)
- ✓ No mechanical wear

FEATURES

- ✓ Possible connection to train-line
- ✓ No air leak
- ✓ Adjustable loudness output for special purposes and/or different intensity needs
- ✓ Can be installed in front of cabin without transmitting mechanical vibrations to the locomotive frame
- ✓ Input voltage and current protections
- ✓ Bayonet-type connectors for easy and safe installation
- ✓ Horn-type speaker with sound diffuser
- ✓ Size and position of holes allow for easy mounting on existing bell brackets

SIMILAR PRODUCTS

Available with input voltage ranges 12Vdc and 24Vdc.



SPECIFICATIONS

INPUT:	74Vdc nominal (32Vdc to 90Vdc) Non polarized
CURRENT	Max 200mA at 74Vdc Max 400mA at 32Vdc
ENCLOSURE:	NEMA 4 enclosure Weather-resistant loudspeaker Shock and vibration resistant
SOUND:	85dBA at 50ft Reproduces railroad required tone quality and loudness clarity levels Ringing frequency 125 rings/minute
OPERATIONAL TEMPERATURE:	-40°F to +158°F / -40°C to +70°C
DIMENSIONS:	12.05"H x 11.60"W x 11.60"D (305.9mm x 294.6mm x 294.6mm)

542 LEPINE AVE, MONTREAL (DORVAL), QUEBEC, H9P 2V6, CANADA

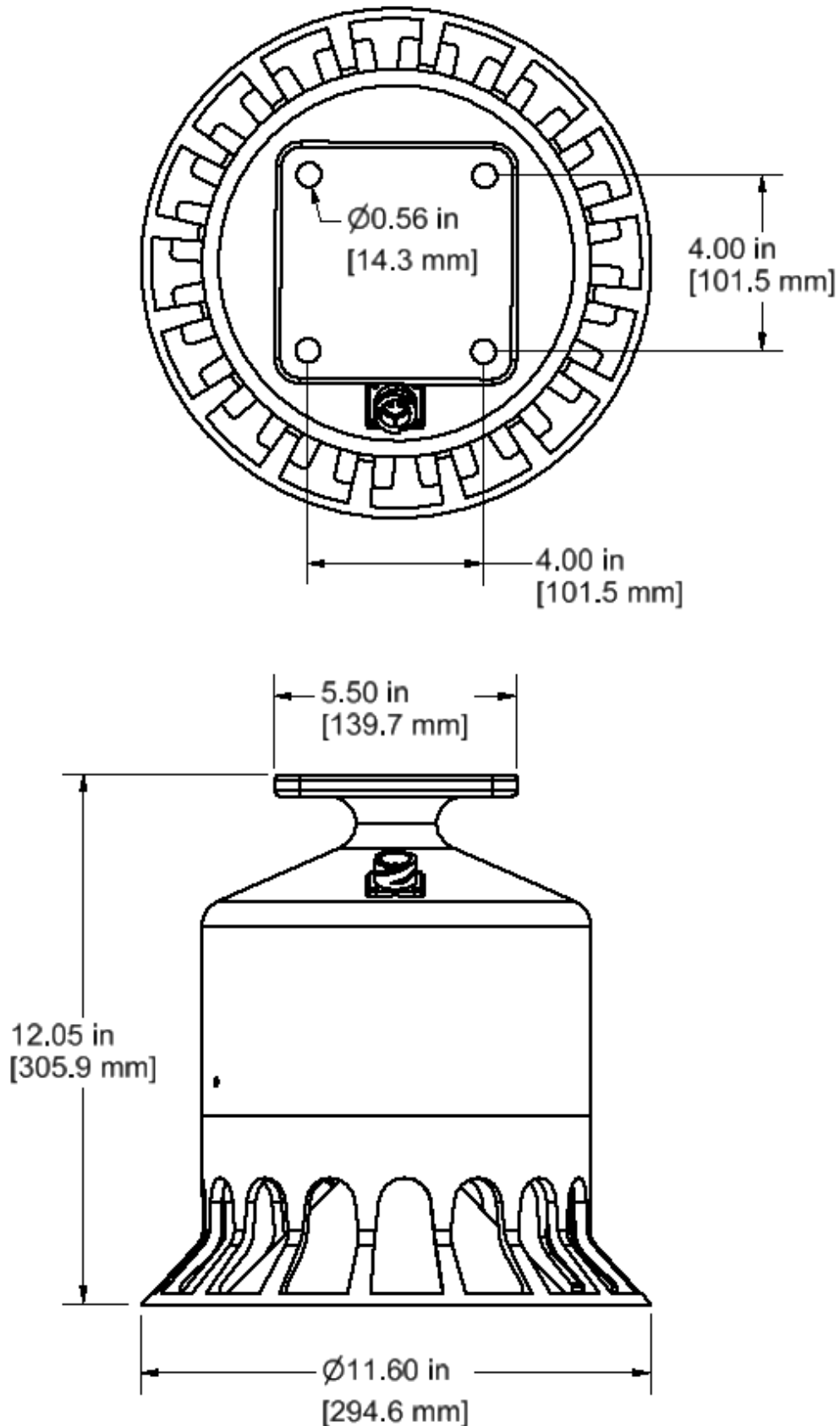
TEL.: 514-633-6452

TOLL FREE: 1-800-380-9424

FAX: 514-633-6453

E-MAIL: MAIL@TRANSTRONIC.QC.CA

ALUMINIUM MOLDED ELECTRONIC BELL, E-BELL 74V



Part No.
020-0082-00

© TRANSTRONIC INC. 2017
Specifications are subject to change without notice.
Printed in Canada

DOC 007-0028-32 (v2)