

BOOSTER / BATTERY CHARGER

Part No. #020-0023-00



BOOSTER / BATTERY CHARGER, 440V/3PH-60Hz, 74V/100/600A

APPLICATION

This device is designed to safely supply the necessary boost current to start diesel-electric locomotives from a 3-phases AC power source.

It can also be used as battery charger.

PERFORMANCE

- ✓ Safe and easy to use
- ✓ Designed to protect electrical loads and control the proper starting sequence of the locomotive
- ✓ Controls the power use to meet the capacity and limits of the power utility
- ✓ Can be used in boosters or charge mode
- ✓ Rugged steel casing
- ✓ Minimal space and weight requirements
- ✓ Equipped with pneumatic wheels
- ✓ Highly reliable and long-life electronics
- ✓ Short-circuit protections
- ✓ Reverse polarity protection

FEATURES

Suited best for loads requiring high inrush current.

Foolproof operation.

Easy installation with provided adapter plate.

Output indicator with digital voltmeter and ammeter.

Operating mode and fault status indicators

Waterproof and dustproof unit suitable for outdoor mounting

SIMILAR PRODUCTS

Available model 230V/3PH-60Hz, 74V/100A/425A
Order No. 020-0013-00.

Available model 600V/3PH-60Hz, 74V/100A/600A
Order No. 020-0041-00.



SPECIFICATIONS

INPUT VOLTAGE: 440Vac 3-phases 100A/60Hz

OUTPUT VOLTAGE: Booster mode: 600A from a 12Vdc to 60Vdc source

Charger mode: 100A from a 12Vdc to 74Vdc source

OPERATING TEMPERATURES: From 32°F to 104°F
(0°C to 40°C)

DIMENSIONS: 37.7" D x 45" H x 28.5" W

WEIGHT: 400lb (181 kg)

542 LEPINE AVE, MONTREAL (DORVAL), QUEBEC, H9P 2V6, CANADA

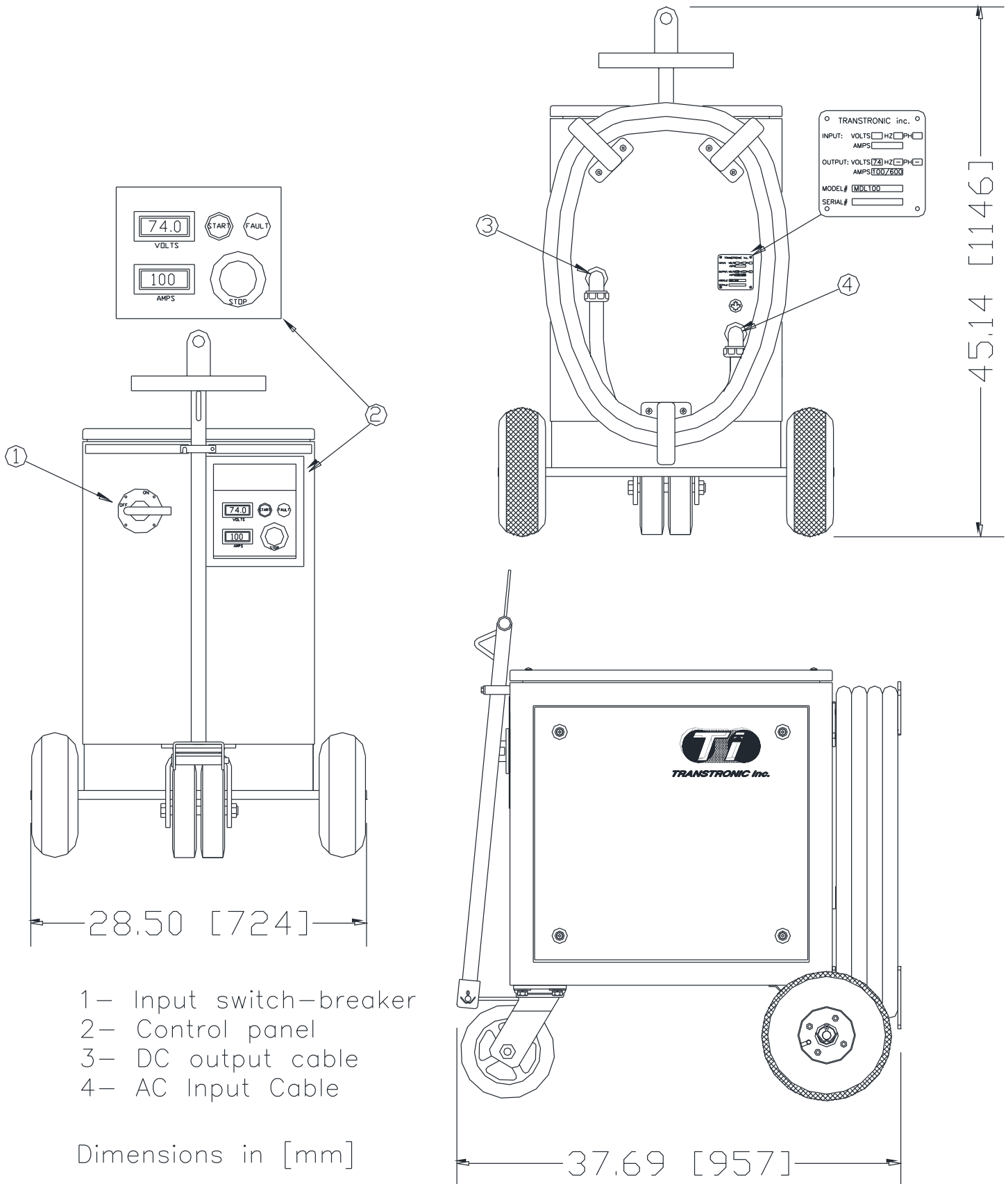
TEL.: 514-633-6452

TOLL FREE: 1-800-380-9424

FAX: 514-633-6453

E-MAIL: MAIL@TRANSTRONIC.QC.CA

BOOSTER / BATTERY CHARGER, 440V/3PH-60Hz, 74V/100/600A



Part No.
020-0023-00

© TRANSTRONIC INC. 2017
 Specifications are subject to change without notice.
 Printed in Canada