

MOBILE SETS

Part No. #020-0037-00



MOBILE CABLE SET FOR JUMP-STARTING LOCOMOTIVES

- **DESIGNED FOR HEAVY CABLE DISPLACING UNDER ROUGH RAILWAY ENVIRONMENTS**
- **SHORT AND LONG END CABLES TOTALLING 80 FEET (24.38 M) CONNECTED TO CONTROL BOX FOR SAFE OPERATIONS**

APPLICATION

This equipment is used to jump-start a dead battery locomotive from a running locomotive.

It is designed to facilitate cable moving.

Furthermore, it allows the control of safe connections routines to the locomotives' battery switches.

FEATURES

Rugged steel frame with 16" (40.6 cm) pneumatic wheels, adapted for heavy cable displacing.

Electronic controls to assure the correction of reverse polarity connection.

SIMILAR PRODUCT

Booster / Battery Charger, 230V/3PH-60Hz, 74V/100A/425A order No. 020-0013-00

Booster / Battery Charger, 440V/3PH-60Hz, 74V/100/600A order No. 020-0023-00

Booster / Battery Charger, 600V/3PH-60Hz, 74V/100A/600A order No. 020-0041-00



SPECIFICATIONS

BREAKER SPECIFICATIONS:	350A continuous 2600A for 5 seconds
POLARITY AND SPARK PROTECTION:	2 heavy-duty contactors with current rating of 450A (in-rush: 2600A)
CABLE SPECIFICATIONS:	Cable 1/0. Short end: 25 feet (7.62 m). Long end: 55 feet (16.76 m)

***see drawing.**

542 LEPINE AVE, MONTREAL (DORVAL), QUEBEC, H9P 2V6, CANADA

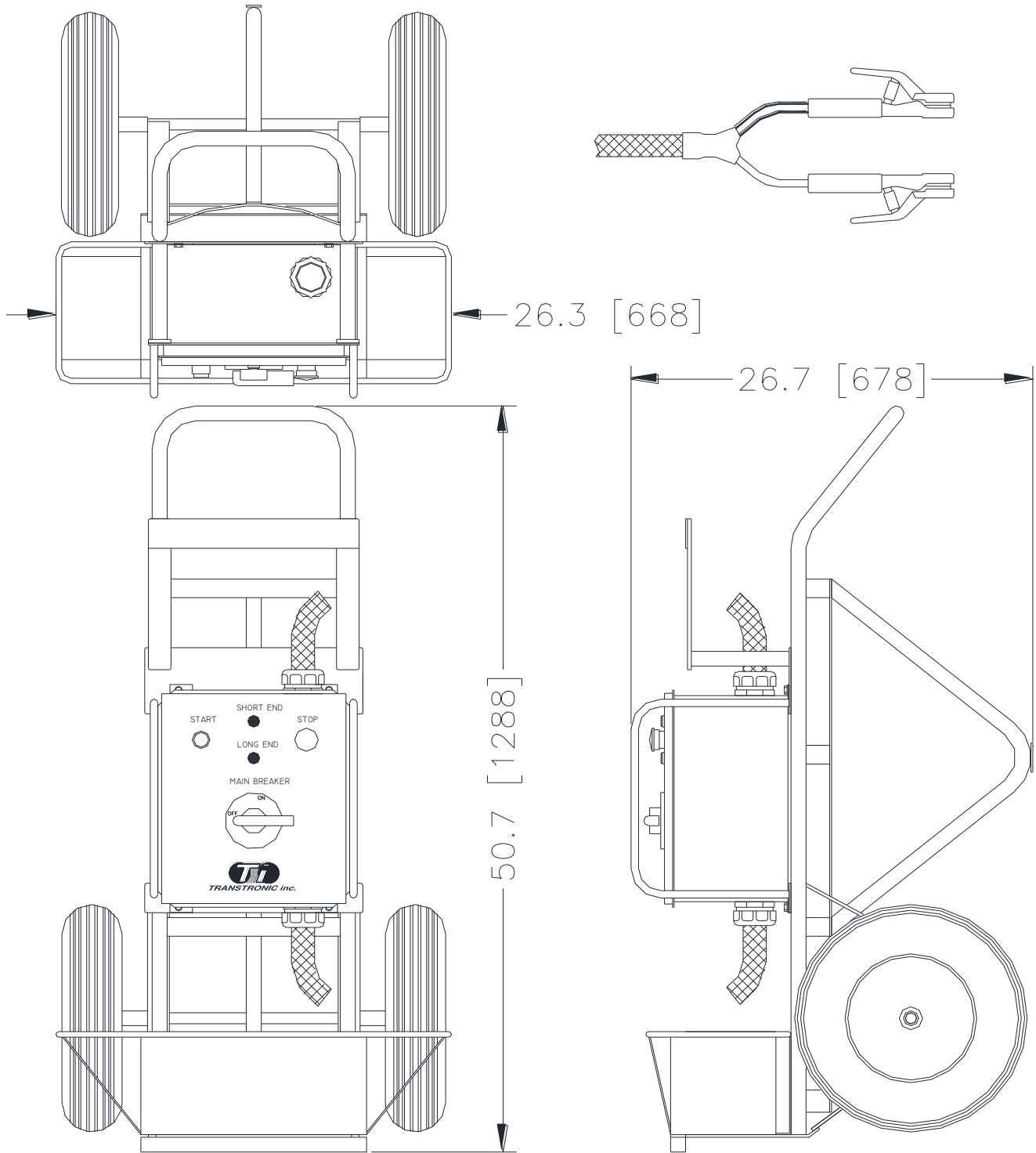
TEL.: 514-633-6452

TOLL FREE: 1-800-380-9424

FAX: 514-633-6453

E-MAIL: MAIL@TRANSTRONIC.QC.CA

MOBILE CABLE SET FOR JUMP-STARTING LOCOMOTIVES



DIMENSIONS IN [MM]

Part No.
020-0037-00

© TRANSTRONIC INC. 2017
Specifications are subject to change without notice.
Printed in Canada

DOC 007-0005-32 (v1)